



Citroen Jumper II With 2.8 HDI engine From serial number 17443608 to 17545710

Vehicle starts poorly

If there are complaints about the above-mentioned fault, the cause could be incorrect positioning of the camshaft sensor. This leads to the engine starting poorly. Due to incorrect geometry of the retaining clamp for the camshaft sensor, the distance between sensor and camshaft pulley is too great. In this case, the position of the sensor must be corrected with the aid of two washers. These washers, with a very particular "thickness", can be obtained via the manufacturer.

Proceed as follows:

- Disconnect the battery.
- Remove the engine cover.
- Remove the plug (see Fig. 1, Item 1) from the sensor.
- Unscrew the fastening nuts from the holder (see Fig. 1, Item 2) and remove the holder upwards.
- Fit a washer to both stud bolts.
- Refit the sensor holder. Initially however, tighten the fastening nuts only lightly, so that the holder can still be moved.
- Now line up the holder such that the distance between the sensor and the reference mark on the camshaft pulley is 0.8–1.5 mm (see Fig. 2).
- Tighten the fastening nuts.
- Refit removed parts in reverse order.

Bulletin

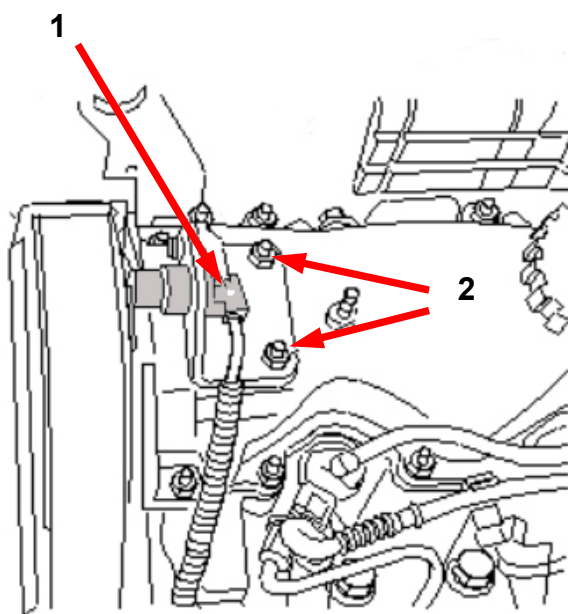
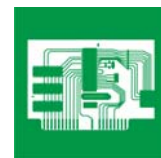


Fig. 1

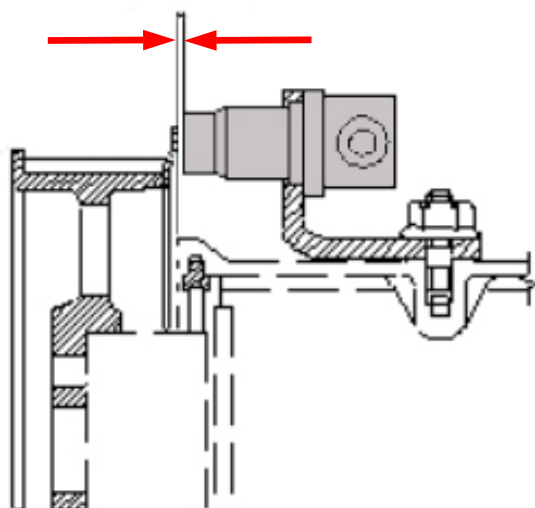


Fig. 2