



## **Peugeot 306** **From model year 02.1996**

### **Airbag light illuminates**

If there are complaints about the above-mentioned fault, faulty plug connections on the airbag/seatbelt wiring harness could be the cause. In this case proceed as follows:

- The wiring harness plug connections are under the seat.
- Loosen the plug connection (orange) on the seatbelt tensioner wiring harness (see Fig. 1 item 2).
- Loosen the plug connection on the side airbag wiring harness (see Fig. 1 item 3).

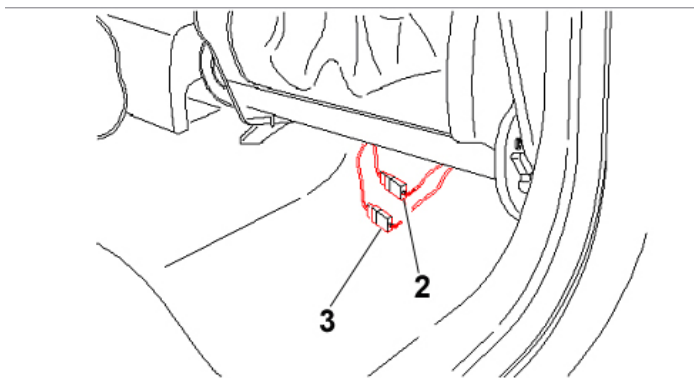


Abb. 1

- Nip the plugs off the cables.
- Strip all the cables approx. 15 mm.
- Pull shrink hoses over the cables (see Fig. 2 item 4).
- Now use the special cable connectors (to be purchased from the vehicle manufacturer) to connect the cables.

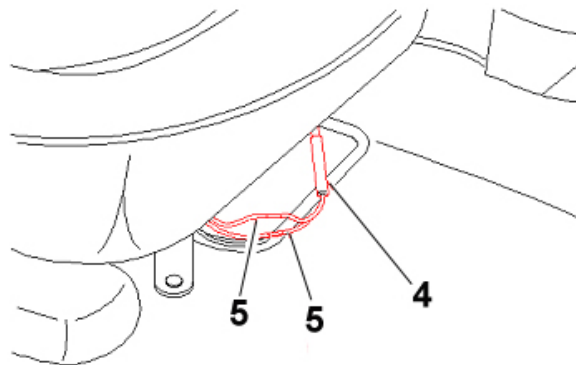


Abb. 2

- Then push the shrink hoses over the connectors and use a hot-air blower to shrink them.
- Use cable ties to fix both wiring harnesses under the seat (see Fig. 3 item 1).

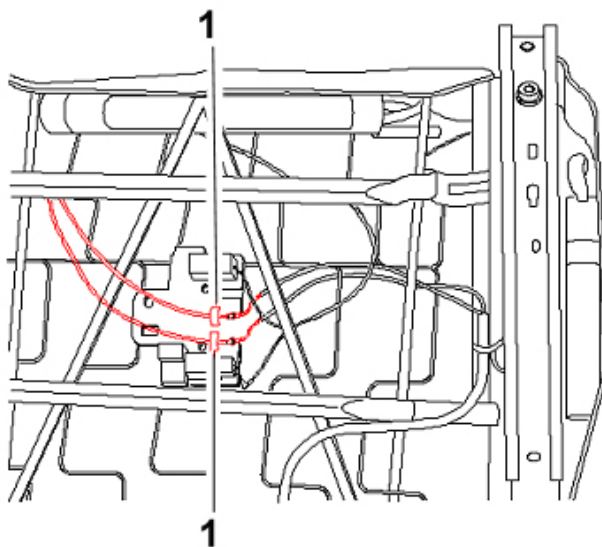


Abb. 3

Carry out these measures for both seats.  
Then delete the fault memory.