



## **Saab 9-5** **All vehicles up to chassis no.:** **W3053331**

### **Damaged cables near the radio shaft.**

With these vehicles it is possible that a cable strand is damaged in the rear part of the radio shaft. The cable strand has been laid too near to the lower right-hand corner of the radio shaft. To prevent or eliminate damage, proceed as follows:

- Note radio code.
- Pull the radio out of the shaft (Fig. 1).
- Remove the radio shaft from the central console and loosen the plug connections (Fig. 2).
- Check whether the cable strand on the right-hand side of the shaft is damaged.
- Repair the damaged cable.
- Change the position of the cable strand in such a way that contact with the radio shaft is no longer possible.
- Reinstall the components in reverse order.

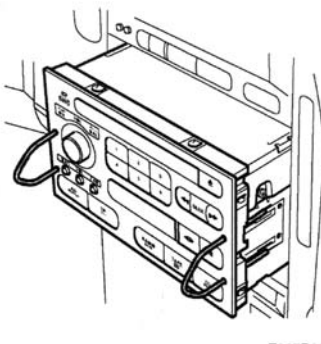


Fig. 1

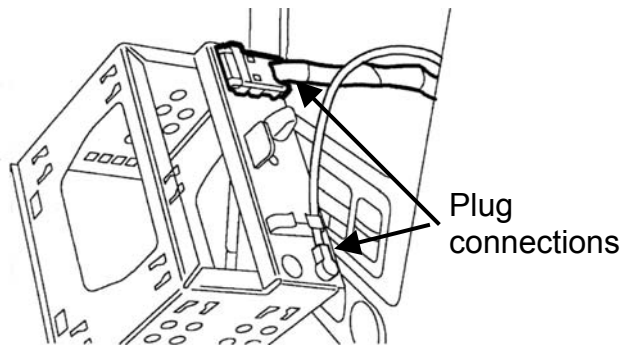


Fig. 2